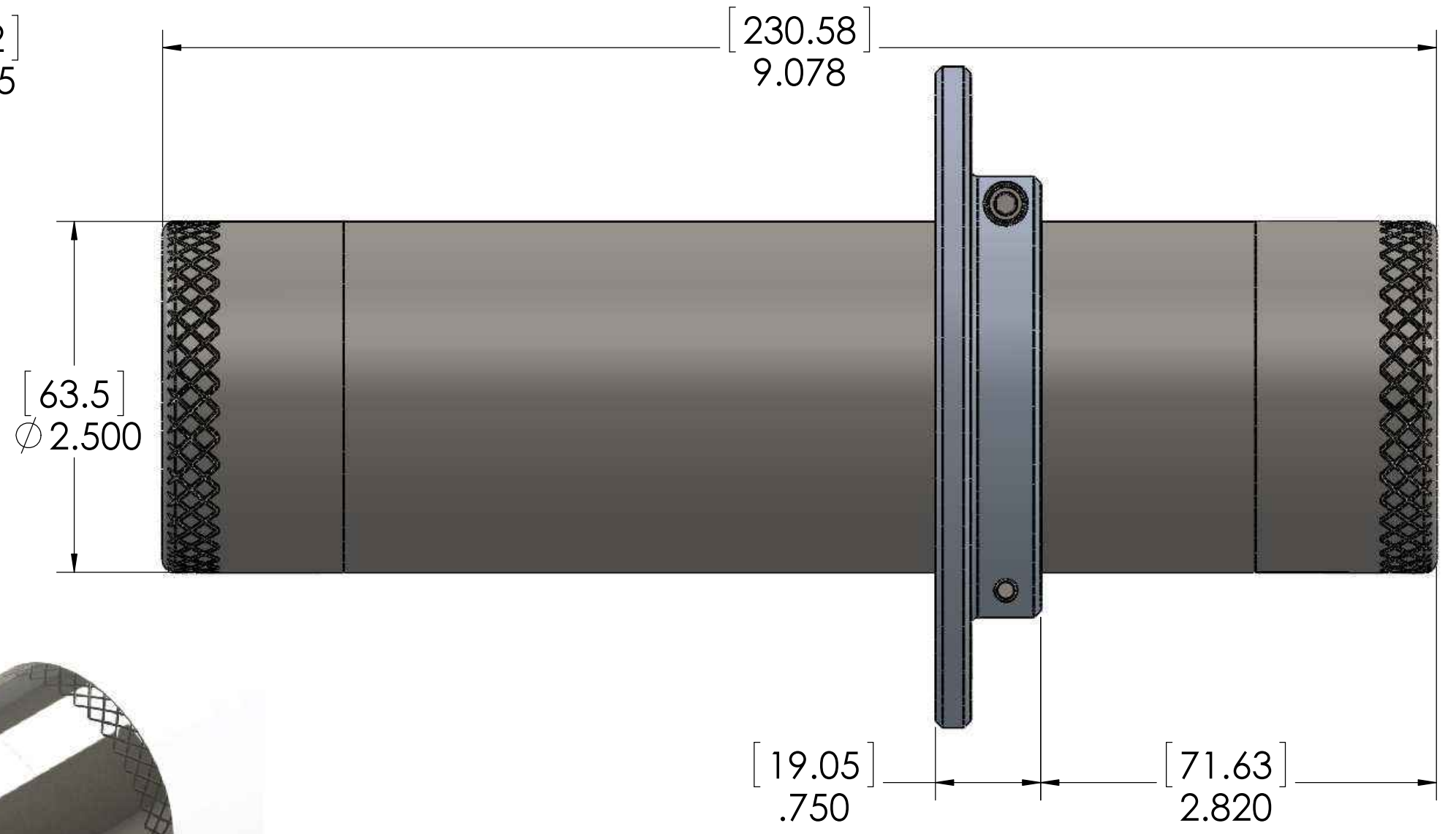
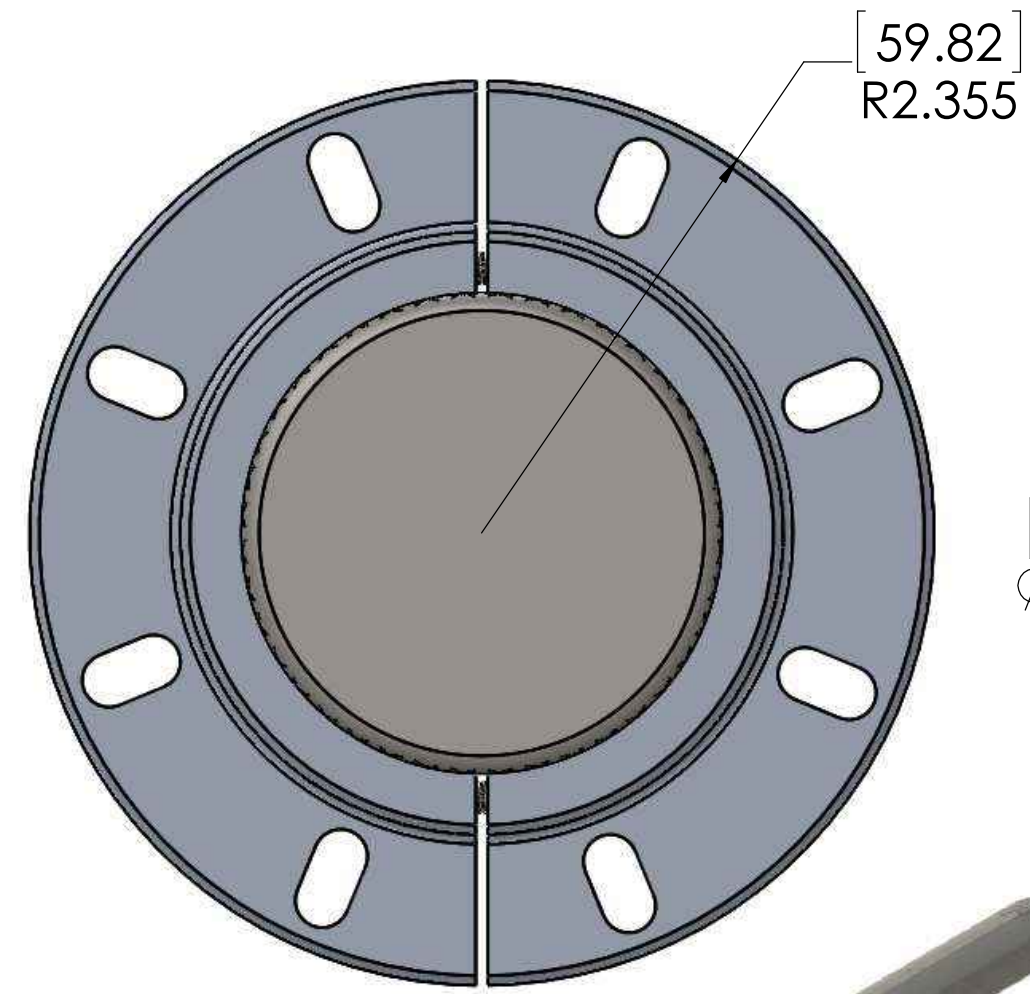


8 7 6 5 4 3 2 1

REV.	DESCRIPTION	DATE	APPROVED
1	RELEASE FOR PRODUCTION	4/23/15	KRW

D
C
B
A

D
C
B
A



PROPRIETARY AND CONFIDENTIAL
 THE INFORMATION CONTAINED IN THIS DRAWING IS THE SOLE PROPERTY OF CDI. ANY REPRODUCTION IN PART OR AS A WHOLE WITHOUT THE WRITTEN PERMISSION OF CDI IS PROHIBITED.

		UNLESS OTHERWISE SPECIFIED:		NAME	DATE
		DIMENSIONS ARE IN INCHES		DRAWN	
		TOLERANCES:		CHECKED	
		FRACTIONAL ± 1/32		ENG APPR.	
		ANGULAR: ± 2°		MFG APPR.	
		TWO PLACE DECIMAL ± .03		Q.A.	
		THREE PLACE DECIMAL ± .010		COMMENTS:	
		INTERPRET GEOMETRIC TOLERANCING PER: ASME Y14.5M - 1994			
		MATERIAL			
NEXT ASSY	USED ON	FINISH			
APPLICATION		DO NOT SCALE DRAWING		ECN #:	
					TITLE: GENERAL ASSEMBLY X400-3D WITH FLANGE
					SIZE B
			SCALE: 1:2		WEIGHT:
			SHEET 1 OF 1		

8 7 6 5 4 3 2 1

V:\X400\Mechanical Models\3D\ 81-03-0069-00 GENERAL ASSEMBLY, X400-3D with flange