



# VANTAGE® V Batching Pig

Sizes: 10-inch and larger



T.D. Williamson, Inc.

Bulletin No: 3000.006.04

Date: January 2007

Cross Indexing No: n/a

Supersedes: 3000.006.03 (4/04)



■ 3D2CC VANTAGE® V Batching Pig with RealSeal® Cups (10-inch size shown)



■ 5D2CC VANTAGE® V Batching Pig (12-inch size shown)

## Description

VANTAGE® V Batching Pigs are multi-use pigs designed for batching, displacing and light cleaning of pipelines 10-inch and larger. Two- and four-cup configurations can be provided, as well as a disc/cup configuration.

The basic two-cup configuration will satisfy most new construction batching/displacing applications. A four-cup or disc/cup design is recommended for:

- Batching products with critical interface contamination points
- Displacing liquids on excessively long runs
- Traversing long-bowl checks and wedge gate valves.

The conical cup features a large wear surface, a cone shape and a small bolt circle. Cups and discs provide excellent sealing capabilities and flexibility. The pig is designed to traverse 20 percent reductions due to anomalies in the pipe without damaging the pipe or pig.

## Features

The disc/cup configuration allows for additional batching and light cleaning. The disc also adds support to the pig, increasing the cup life.

All cups and discs are replaceable and can be interchanged or reconfigured. The VANTAGE V Batching Pig is rugged and easy to maintain. It features a consistent design throughout the size range and is available in several different standard configurations to meet most pigging applications.

The VANTAGE V Pigs are equipped with non-metallic bumpers to protect the bolts and prevent metal to metal contact during pigging operations.

## Options

T.D. Williamson, Inc., is committed to providing you with the exact product to assist you in meeting your individual needs. The VANTAGE V Batching Pig is offered in several configurations.

- Two- or four-cup and disc-cup configurations can be provided.
- It is available in sizes 10-inch and larger.
- It may be equipped with a magnet kit to remove ferrous debris.
- It may be equipped with an adapter plate on which to mount a pig tracking transmitter.
- It may be equipped with dual diameter cups.
- RealSeal® Multi-Lip cups are available for increased seal effectiveness and wear life.

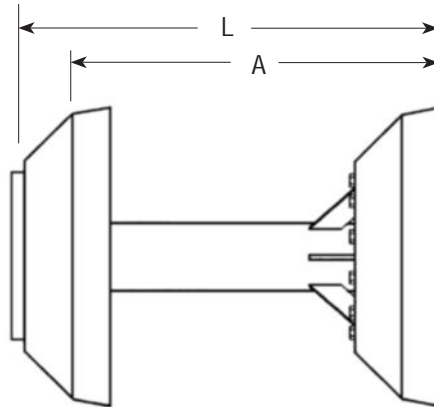
RealSeal® Multi-Lip Cup: Patented in the United States and in foreign countries.



# VANTAGE® V Batching Pigs

## 2CC Configuration

The 2CC VANTAGE® V Batching Pigs are recommended for light to medium batching and in lines with 1.5 DR - 90° bends.



Size		Part Number	Weight		Allowable Pipe ID Variations				A		L	
Inch	mm		Lbs.	Kg.	Minimum		Maximum		Inch	mm	Inch	mm
10	250	01-1970-0010	18	8	9-3/4	246	10-1/2	266	14-9/16	370	19-11/16	500
12	300	01-1970-0012	23	10	11-3/4	300	12-1/2	317	14-7/16	367	20-9/16	522
14	350	01-1970-0014	24	11	13	330	13-3/4	349	14-1/2	368	21-1/4	540
16	400	01-1299-0000	42	19	14-3/4	375	15-5/8	397	20-1/2	521	23-9/16	598
18	450	01-1300-0000	68	31	16-3/4	425	17-5/8	448	24-1/4	616	27-3/8	695
20	500	01-1301-0000	75	34	18-3/4	476	19-5/8	498	24-1/2	622	28-5/8	727
22	550	01-1302-0000	129	58	20-1/2	521	21-3/4	552	29-1/4	743	32-5/8	829
24	600	01-1303-0000	139	63	22-1/2	572	23-3/4	603	29-1/2	749	33-7/8	860
26	650	01-1304-0000	165	74	24-1/2	622	25-3/4	654	34	864	38-7/16	976
28	700	01-1305-0000	177	80	26-1/2	673	27-3/4	705	34-1/4	870	39-11/16	1008
30	750	01-1306-0000	260	117	28-1/4	718	29-3/4	756	39-3/4	1010	44-1/2	1130
32	800	01-1307-0000	280	126	30-1/4	768	31-3/4	806	40	1016	45-3/4	1162
34	850	01-1308-0000	375	169	32-1/4	819	33-3/4	857	46-1/4	1175	51-1/2	1308
36	900	01-1309-0000	399	180	34-1/4	870	35-3/4	908	46-1/2	1181	52-7/8	1343
40	1000	01-1310-0000	638	287	38	965	39-3/4	1010	52-3/4	1340	58-7/8	1495
42	1050	01-1311-0000	664	299	40	1016	41-3/4	1060	53	1346	60-1/8	1527

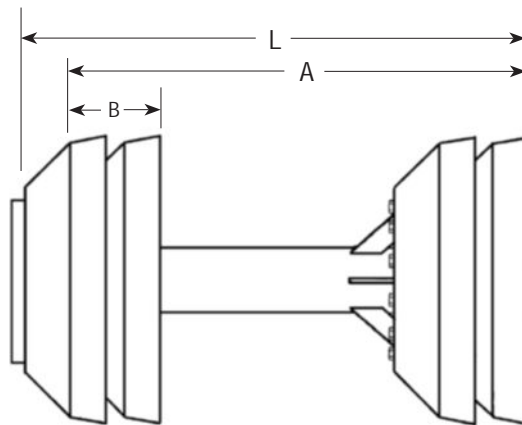
Consult the factory for larger sizes.



# VANTAGE® V Batching Pigs

## 4CC Configuration

The 4CC VANTAGE® V Batching Pigs are recommended for medium to heavy batching and lines with 1.5 DR - 90° bends. This pig will traverse most long-bowl check valves and full-opening wedge gate valves.



Allowable Pipe ID Variations

Size		Part Number	Weight		Minimum		Maximum		A		B		L	
Inch	mm		Lbs.	Kg.	Inch	mm	Inch	mm	Inch	mm	Inch	mm	Inch	mm
10	250	01-1972-0010	24	11	9-3/4	246	10-1/2	266	16-11/16	424	4-1/16	103	21-1/16	535
12	300	01-1972-0012	34	15	11-3/4	300	12-1/2	317	20-9/16	522	4-7/16	113	26-11/16	678
14	350	01-1972-0014	36	16	13	330	13-3/4	349	20-5/8	524	4-1/2	114	27-3/8	695
16	400	01-1379-0000	74	34	14-3/4	375	15-5/8	397	27	686	5-1/4	133	29-1/16	738
18	450	01-1380-0000	126	57	16-3/4	425	17-5/8	448	31-3/4	806	6	152	33-7/8	860
20	500	01-1381-0000	127	58	18-3/4	476	19-5/8	498	32	813	6-1/4	159	35-1/8	892
22	550	01-1382-0000	223	101	20-1/2	521	21-3/4	552	38-1/2	978	7-3/8	187	41-3/16	1046
24	600	01-1383-0000	243	110	22-1/2	572	23-3/4	603	38	984	7-5/8	194	42-7/16	1078
26	650	01-1384-0000	287	130	24-1/2	622	25-3/4	654	44-1/4	1124	8-3/8	213	47-15/16	1218
28	700	01-1385-0000	311	141	26-1/2	673	27-3/4	705	44-1/2	1130	8-5/8	219	49-3/16	1249
30	750	01-1386-0000	426	193	28-1/4	718	29-3/4	756	51-1/4	1302	9-1/2	241	55-3/8	1406
32	800	01-1387-0000	446	202	30-1/4	768	31-3/4	806	51-1/2	1308	9-3/4	248	56-5/8	1438
34	850	01-1388-0000	613	278	32-1/4	819	33-3/4	857	59-1/4	1505	10-3/4	273	64-1/8	1629
36	900	01-1389-0000	661	300	34-1/4	870	35-3/4	908	59-1/2	1511	11	279	65-1/2	1664
40	1000	01-1390-0000	1026	465	38	965	39-3/4	1010	67-3/4	1721	12-1/2	318	73-1/2	1867
42	1050	01-1391-0000	1078	489	40	1016	41-3/4	1060	68	1727	12-3/4	324	74-3/4	1899

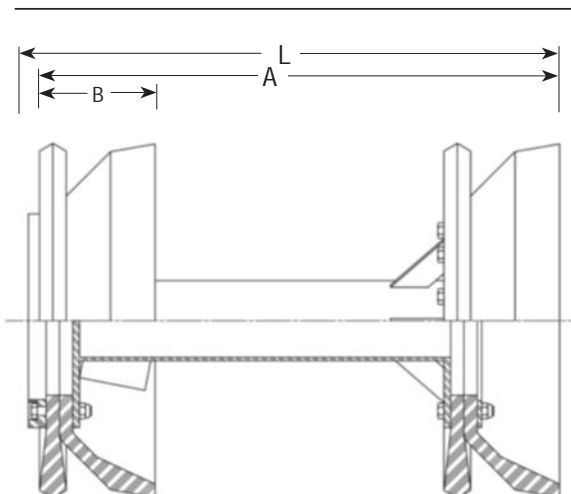
Consult the factory for larger sizes.



# VANTAGE® V Batching Pigs

The DCDC VANTAGE® V Batching Pigs are recommended for medium to heavy batching. The pigs will traverse 1.5 DR - 90° bends. This pig will traverse most long bowl check valves and full-opening wedge gate valves.

## DCDC Configuration



Size		Part Number	Weight		Allowable Pipe ID Variations				A		B		L	
Inch	mm		Lbs.	Kg.	Minimum		Maximum		Inch	mm	Inch	mm	Inch	mm
10	250	01-1633-0010	19	9	9-3/4	246	10-1/2	266	14-11/16	373	3-3/4	95	18-7/16	468
12	300	01-1633-0012	27	12	11-3/4	300	12-1/2	317	18-9/16	471	4-5/8	117	22-5/16	567
14	350	01-1633-0014	30	14	13	330	13-3/4	349	19-1/4	489	5-5/16	135	23	584
16	400	01-1633-0016	62	28	14-3/4	375	15-5/8	397	23-15/16	608	4-7/16	113	24-11/16	627
18	450	01-1633-0018	92	42	16-3/4	425	17-5/8	448	27-3/4	705	4-3/4	121	28-1/2	724
20	500	01-1633-0020	105	48	18-3/4	476	19-5/8	498	29	737	5-7/8	149	29-3/4	756
22	550	01-1633-0022	170	77	20-1/2	521	21-3/4	552	33-5/8	854	6	152	34-1/2	876
24	600	01-1633-0024	190	86	22-1/2	572	23-3/4	603	34-7/8	886	7-1/8	181	35-3/4	908
26	650	01-1633-0026	230	104	24-1/2	622	25-3/4	654	39-3/8	1000	7-3/8	187	40-1/4	1022
28	700	01-1633-0028	250	113	26-1/2	673	27-3/4	705	40-5/8	1032	8-3/8	213	41-1/2	1054
30	750	01-1633-0030	345	156	28-1/4	718	29-3/4	756	45-3/4	1162	8-5/8	219	46-3/4	1187
32	800	01-1633-0032	380	172	30-1/4	768	31-3/4	806	47	1194	9-5/8	244	48	1219
34	850	01-1633-0034	505	229	32-1/4	819	33-3/4	857	53-3/8	1356	9-3/4	248	54-5/8	1387
36	900	01-1633-0036	555	252	34-1/4	870	35-3/4	908	54-3/4	1391	11-1/8	283	56	1422
40	1000	01-1633-0040	845	383	38	965	39-3/4	1010	61-1/4	1556	11-1/2	292	62-3/4	1594
42	1050	01-1633-0042	905	411	40	1016	41-3/4	1060	62-1/2	1588	12-3/4	324	64	1626

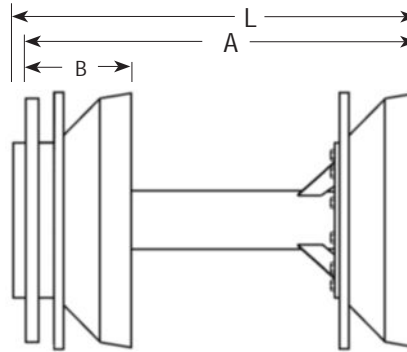
Consult the factory for larger sizes.



# VANTAGE® V Batching Pigs

## 3D2CC Configuration

The 3D2CC VANTAGE® V Batching Pigs are recommended for medium to heavy batching and lines with 1.5 DR - 90° bends. This pig will traverse most long-bowl check valves and full-opening wedge gate valves.



Allowable Pipe ID Variations

Size		Part Number	Weight		Allowable Pipe ID Variations				A		B		L	
Inch	mm		Lbs.	Kg.	Minimum		Maximum		Inch	mm	Inch	mm	Inch	mm
10	250	01-1772-0010	20	9	9-3/4	246	10-1/2	266	15-1/16	382	4-5/8	117	18-7/16	468
12	300	01-1772-0012	32	15	11-3/4	300	12-1/2	317	19-7/16	494	5-7/8	149	22-13/16	579
14	350	01-1772-0014	35	16	13	330	13-3/4	349	20-1/8	511	6-9/16	167	23-1/2	597
16	400	01-1772-0016	52	25	14-3/4	375	15-5/8	397	25-7/16	646	6-5/16	160	26-7/16	672
18	450	01-1772-0018	89	40	16-3/4	425	17-5/8	448	29-1/2	749	6-7/8	175	30-1/2	775
20	500	01-1772-0020	101	46	18-3/4	476	19-5/8	498	31-1/8	791	8-3/8	213	32-1/8	816
22	550	01-1772-0022	160	73	20-1/2	521	21-3/4	552	35-5/16	897	8-1/16	205	36-9/16	929
24	600	01-1772-0024	190	89	22-1/2	572	23-3/4	603	37-1/16	941	9-11/16	246	38-5/16	972
26	650	01-1772-0026	211	96	24-1/2	622	25-3/4	654	41-9/16	1056	9-15/16	252	42-13/16	1087
28	700	01-1772-0028	266	121	26-1/2	673	27-3/4	705	43-9/16	1106	11-11/16	297	44-13/16	1138
30	750	01-1772-0030	353	160	28-1/4	718	29-3/4	756	48-3/8	1229	11-3/8	289	49-5/8	1260
32	800	01-1772-0032	394	179	30-1/4	768	31-3/4	806	50	1270	12-7/8	327	51-1/4	1302
34	850	01-1772-0034	475	215	32-1/4	819	33-3/4	857	56-1/4	1429	13-1/8	333	57-1/2	1461
36	900	01-1772-0036	561	254	34-1/4	870	35-3/4	908	58-1/8	1476	14-7/8	378	59-3/8	1508
40	1000	01-1772-0040	826	375	38	965	39-3/4	1010	64-1/2	1638	15-3/8	391	65-3/4	1670
42	1050	01-1772-0042	919	417	40	1016	41-3/4	1060	66-1/4	1683	17	432	67-1/2	1715

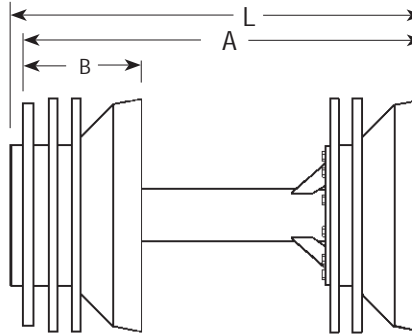
Consult the factory for larger sizes.



# VANTAGE® V Batching Pigs

## 5D2CC Configuration

The 5D2CC VANTAGE® V Batching Pigs are recommended for medium to heavy batching of lines with 1.5 DR - 90° bends. This pig will traverse most long-bowl check valves and full-opening wedge gate valves.



Allowable Pipe ID Variations

Size		Part Number	Weight		Allowable Pipe ID Variations				A		B		L	
Inch	mm		Lbs.	Kg.	Minimum		Maximum		Inch	mm	Inch	mm	Inch	mm
10	250	01-1773-0010	24	11	9-3/4	246	10-1/2	266	16-13/16	427	5-1/2	140	20-3/16	513
12	300	01-1773-0012	38	15	11-3/4	300	12-1/2	317	21-7/16	544	6-7/8	175	24-13/16	630
14	350	01-1773-0014	42	19	13	330	13-3/4	349	22-1/8	562	7-9/16	192	25-1/2	648
16	400	01-1773-0016	69	31	14-3/4	375	15-5/8	397	28-11/16	729	7-15/16	202	29-11/16	754
18	450	01-1773-0018	106	48	16-3/4	425	17-5/8	448	33-1/4	845	8-3/4	222	34-1/4	870
20	500	01-1773-0020	124	56	18-3/4	476	19-5/8	498	35-1/8	892	10-3/8	264	36-1/8	918
22	550	01-1773-0022	189	86	20-1/2	521	21-3/4	552	39-5/16	999	10-1/16	256	40-9/16	1030
24	600	01-1773-0024	228	103	22-1/2	572	23-3/4	603	41-5/16	1049	11-13/16	300	42-9/16	1081
26	650	01-1773-0026	254	115	24-1/2	622	25-3/4	654	45-13/16	1164	12-1/16	306	47-1/16	1195
28	700	01-1773-0028	325	147	26-1/2	673	27-3/4	705	48-5/16	1227	14-1/16	357	49-9/16	1259
30	750	01-1773-0030	417	189	28-1/4	718	29-3/4	756	53-3/8	1356	13-7/8	352	54-5/8	1387
32	800	01-1773-0032	473	215	30-1/4	768	31-3/4	806	55-1/4	1403	15-1/2	394	56-1/2	1435
34	850	01-1773-0034	565	256	32-1/4	819	33-3/4	857	62	1575	16	406	63-1/4	1607
36	900	01-1773-0036	670	304	34-1/4	870	35-3/4	908	64-1/8	1629	17-7/8	454	65-3/8	1661
40	1000	01-1773-0040	965	438	38	965	39-3/4	1010	71-1/4	1818	18-3/4	476	72-1/2	1842
42	1050	01-1773-0042	1083	491	40	1016	41-3/4	1060	73-1/4	1861	20-1/2	513	74-1/2	1892

Consult the factory for larger sizes.



# VANTAGE® V Batching Pigs

## VANTAGE® Pigs Will Traverse

Size		Maximum Gate Valve Seat Ring Spacing									
		2CC		4CC		DCDC		3D2CC		5D2CC	
Inch	mm	Inch	mm	Inch	mm	Inch	mm	Inch	mm	Inch	mm
10	250	2-3/4	70	5-3/16	132	3-3/4	95	4-1/8	105	5	127
12	300	3-5/8	92	6-11/16	170	4-5/8	117	5-7/8	149	6-3/8	162
14	350	4-5/16	110	7-3/8	187	5-5/16	135	6-1/16	154	7-1/16	179
16	400	3-9/16	90	6-13/16	173	4-11/16	119	5-13/16	148	7-7/16	189
18	450	3-7/8	98	7-5/8	194	5	127	6-3/8	162	8-1/4	209
20	500	5-1/8	130	8-5/8	225	6-1/4	159	7-7/8	200	9-7/8	251
22	550	5	127	9-1/2	241	6-3/16	157	7-1/2	190	9-1/2	241
24	600	6-1/8	156	10-3/4	273	7-7/16	189	9-1/8	232	11-1/4	286
26	650	6-1/2	165	11-9/16	294	7-3/4	197	9-7/16	240	11-9/16	294
28	700	7-3/4	197	12-13/16	325	9	229	11-13/16	284	13-9/16	344
30	750	7-3/8	187	13-1/8	333	9	229	10-7/8	276	13-3/8	340
32	800	8-5/8	219	14-3/8	365	10-1/4	260	12-3/8	314	15	381
34	850	8-5/8	219	15-1/8	384	10-1/2	267	12-5/8	321	15-1/2	394
36	900	10	254	16-1/2	419	11-7/8	302	14-3/8	365	17-3/8	441
40	1000	10-1/4	260	17-3/4	451	12-1/2	318	14-7/8	378	18-1/4	464
42	1050	11-1/2	292	19	483	13-3/4	349	16-1/2	419	20	508

Consult the factory for parts or accessories not listed.

Size		Maximum Check Valve Bowl Length									
		2CC		4CC		DCDC		3D2CC		5D2CC	
Inch	mm	Inch	mm	Inch	mm	Inch	mm	Inch	mm	Inch	mm
10	250	13-1/16	332	15-1/8	384	16-1/8	410	13-1/2	343	15-1/4	387
12	300	13-1/16	332	19-1/8	486	19-3/8	492	18	457	20	508
14	350	13-1/16	332	19-1/8	486	20-1/16	510	18-11/16	475	20-11/16	525
16	400	19-1/2	495	21-3/4	552	22-11/16	576	23-7/16	595	26-11/16	678
18	450	23-1/4	591	25-3/4	654	26-1/4	667	27-1/4	692	31	787
20	500	23-1/2	597	25-3/4	654	27-1/4	692	28-5/8	727	32-5/8	829
22	550	28-1/4	718	31-1/8	791	31-3/4	806	32-1/2	826	36-1/2	927
24	600	28-1/2	724	31-1/8	791	32-3/4	832	34	864	38-1/4	972
26	650	33	838	35-7/8	911	37	940	38-5/16	973	42-9/16	1081
28	700	33-1/4	845	35-7/8	911	38	965	40-1/16	1018	44-13/16	1138
30	750	38-3/4	984	41-3/4	1060	43	1092	44-5/8	1133	49-5/8	1260
32	800	39	991	41-3/4	1060	44	1118	46	1168	51-1/4	1302
34	850	45-1/4	1149	48-1/2	1232	50-3/8	1280	52	1321	57-3/4	1467
36	900	45-1/2	1156	48-1/2	1232	51-1/2	1308	53-5/8	1362	59-5/8	1514
40	1000	51-3/4	1314	55-1/4	1403	57-3/4	1467	59-1/2	1511	66-1/4	1683
42	1050	52	1321	55-1/4	1403	58-3/4	1492	61	1549	68	1727

Consult the factory for parts or accessories not listed.



# VANTAGE® V Batching Pigs

## Replacement Cups/Discs

Size		Standard VANTAGE®	RealSeal®			
Inch	mm	Conical Cups	Conical Cups	Discs for DCDC pigs	Scraper Seal Disc	Guide/Support Disc
10	250	00-4120-0010-03	00-7457-0010	00-1702-0003	00-7698-0010	00-7699-0010
12	300	00-4120-0012-03	00-7457-0012	00-1702-0004	00-7698-0012	00-7699-0012
14	350	00-4120-0014-03	00-7457-0014	00-1702-0010	00-7698-0014	00-7699-0014
16	400	00-4120-0016	00-7457-0016	00-6414-0016	00-7698-0016	00-7699-0016
18	450	00-4120-0018	00-7457-0018	00-6414-0018	00-7698-0018	00-7699-0018
20	500	00-4120-0020	00-7457-0020	00-6414-0020	00-7698-0020	00-7699-0020
22	550	00-4120-0022	00-7457-0022	00-6414-0022	00-7698-0022	00-7699-0022
24	600	00-4120-0024	00-7457-0024	00-6414-0024	00-7698-0024	00-7699-0024
26	650	00-4120-0026	00-7457-0026	00-6414-0026	00-7698-0026	00-7699-0026
28	700	00-4120-0028	00-7457-0028	00-6414-0028	00-7698-0028	00-7699-0028
30	750	00-4120-0030	00-7457-0030	00-6414-0030	00-7698-0030	00-7699-0030
32	800	00-4120-0032	00-7457-0032	00-6414-0032	00-7698-0032	00-7699-0032
34	850	00-4120-0034	00-7457-0034	00-6414-0034	00-7698-0034	00-7699-0034
36	900	00-4120-0036	00-7457-0036	00-6414-0036	00-7698-0036	00-7699-0036
40	1000	00-4120-0040	00-7457-0040	00-6414-0040	00-7698-0040	00-7699-0040
42	1050	00-4120-0042	00-7457-0042	00-6414-0042	00-7698-0042	00-7699-0042