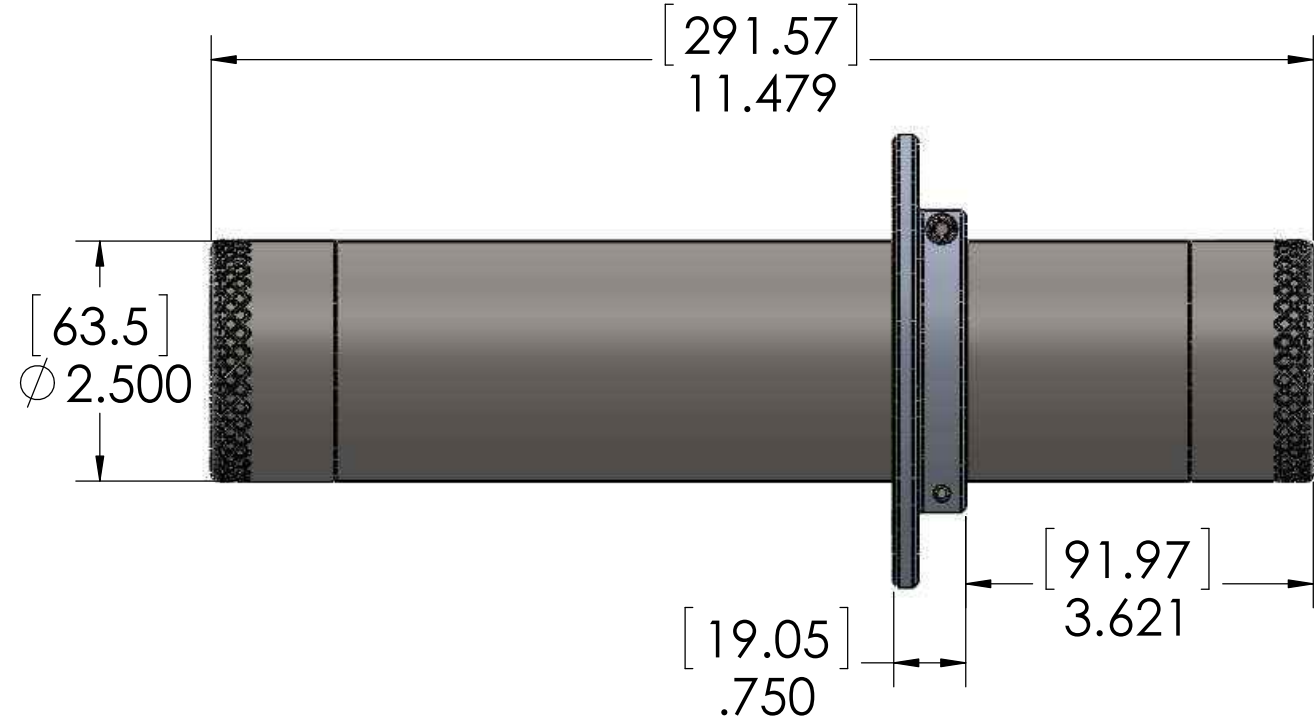
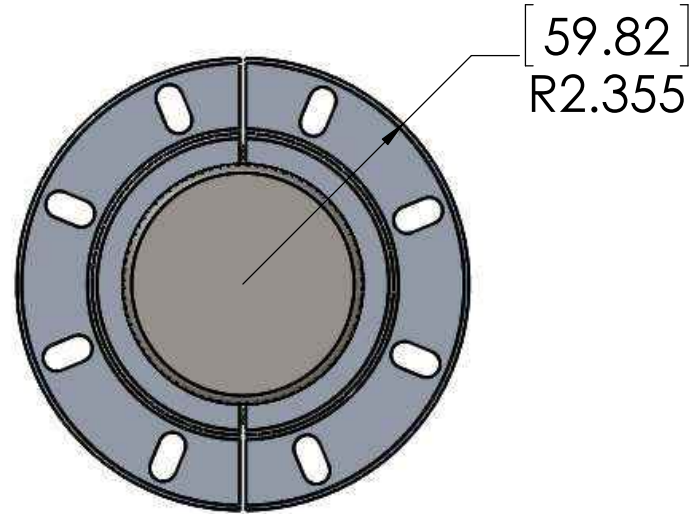


8 7 6 5 4 3 2 1

| REV. | DESCRIPTION | DATE | APPROVED |
|------|-----------------------|---------|----------|
| 1 | RELEASE TO PRODUCTION | 4/23/15 | KRW |




D
C
B
A

D
C
B
A

V:\X400\Mechanical Models\4D\ 81-03-0075-00 - GENERAL ASSEMBLY, X400-4D TRANSMITTER WITH FLANGE

PROPRIETARY AND CONFIDENTIAL
THE INFORMATION CONTAINED IN THIS DRAWING IS THE SOLE PROPERTY OF CDI. ANY REPRODUCTION IN PART OR AS A WHOLE WITHOUT THE WRITTEN PERMISSION OF CDI IS PROHIBITED.

| | | | | | |
|-------------|---------|---|-----------|------------|---|
| | | UNLESS OTHERWISE SPECIFIED: DIMENSIONS ARE IN INCHES TOLERANCES: FRACTIONAL ± 1/32 ANGULAR: ± 2° TWO PLACE DECIMAL ± .03 THREE PLACE DECIMAL ± .010 | NAME | DATE |  GENERAL ASSEMBLY, X400-4D WITH FLANGE |
| | | | DRAWN | | |
| | | | CHECKED | | |
| | | | ENG APPR. | | |
| | | | MFG APPR. | | |
| | | INTERPRET GEOMETRIC TOLERANCING PER: ASME Y14.5M - 1994 | Q.A. | | |
| | | MATERIAL | COMMENTS: | | |
| NEXT ASSY | USED ON | FINISH | | | SIZE B DWG. NO. 81-03-0075-00 REV 1 |
| APPLICATION | | DO NOT SCALE DRAWING | ECN #: | SCALE: 1:2 | WEIGHT: SHEET 1 OF 1 |

8 7 6 5 4 3 2 1