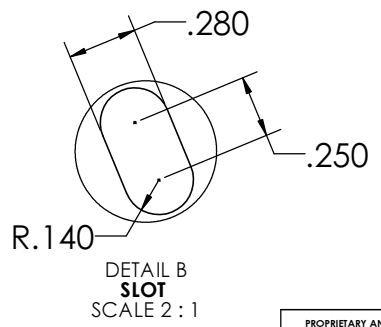
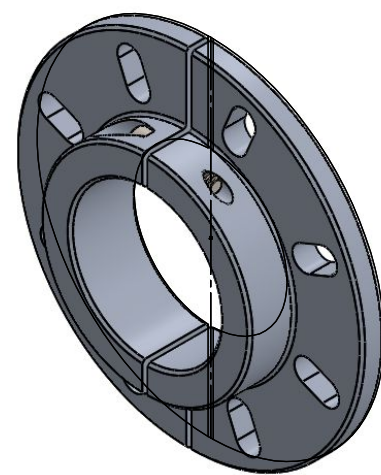
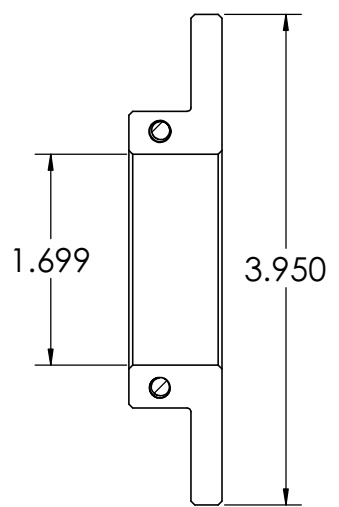
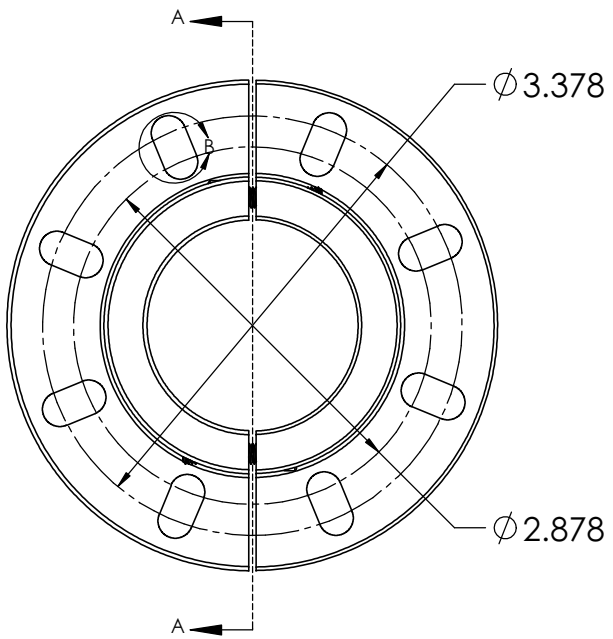



REV.	DESCRIPTION	DATE	APPROVED
1	RELEASE FOR PRODUCTION	5/26/2015	KRW



NOTES:
1. REMOVE ALL BURRS AND SHARP EDGES.

PROPRIETARY AND CONFIDENTIAL
 THE INFORMATION CONTAINED IN THIS DRAWING IS THE SOLE PROPERTY OF CDI. ANY REPRODUCTION IN PART OR AS A WHOLE WITHOUT THE WRITTEN PERMISSION OF CDI IS PROHIBITED.



		UNLESS OTHERWISE SPECIFIED:							
		DIMENSIONS ARE IN INCHES		DRAWN	KRW			TITLE:	
		TOLERANCES:		CHECKED	KRW			KIT, X300-XX	
		FRACTIONAL $\pm 1/32$		ENG APPR.				FLANGE	
		ANGULAR: $\pm 2^\circ$		MFG APPR.				SIZE	DWG. NO.
		TWO PLACE DECIMAL $\pm .03$		Q.A.		B	81-05-0112-00		
		THREE PLACE DECIMAL $\pm .010$		COMMENTS:		SCALE: 1:1	WEIGHT:		
		INTERPRET GEOMETRIC TOLERANCING PER: ASME Y14.5M - 1994				SHEET 1 OF 1			
		MATERIAL							
		FINISH							
NEXT ASSY		USED ON		ECR #:					
APPLICATION		DO NOT SCALE DRAWING							