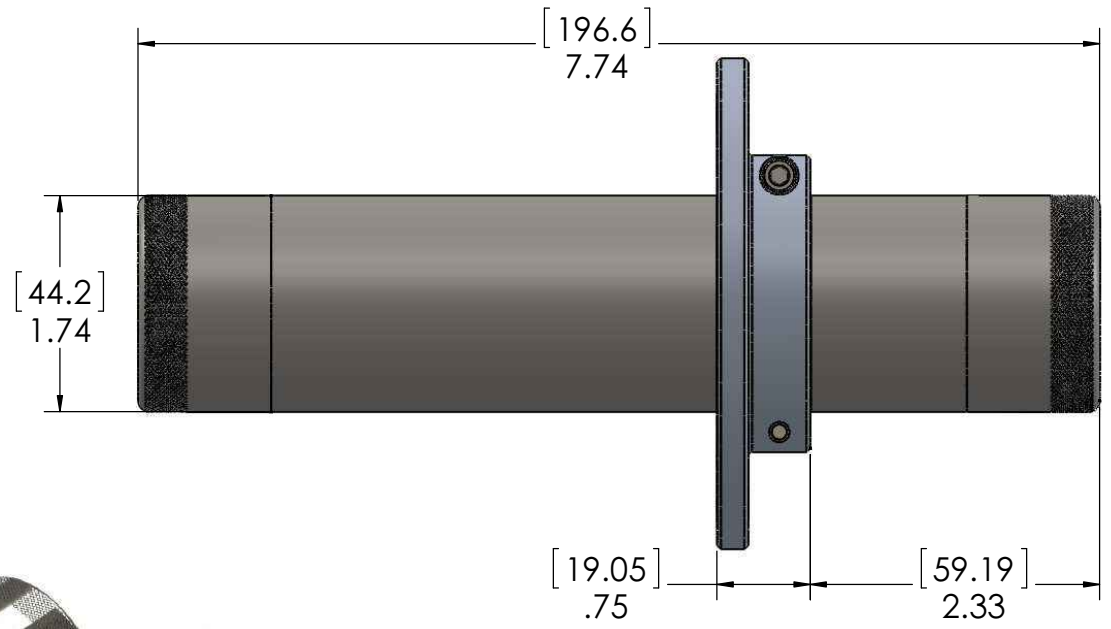
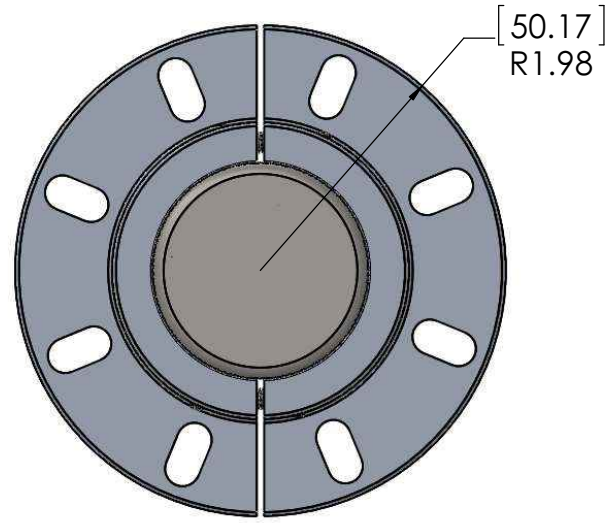


8 7 6 5 4 3 2 1

REV.	DESCRIPTION	DATE	APPROVED
1	RELEASE TO PRODUCTION	4/27/2015	KRW




V:\X300\Mechanical Models\X300-3C\ 81-03-0079-00GA GENERAL ASSEMBLY, X300-3C WITH FLANGE

D  
C  
B  
A

D  
C  
B  
A

**PROPRIETARY AND CONFIDENTIAL**  
THE INFORMATION CONTAINED IN THIS DRAWING IS THE SOLE PROPERTY OF CDI. ANY REPRODUCTION IN PART OR AS A WHOLE WITHOUT THE WRITTEN PERMISSION OF CDI IS PROHIBITED.

		UNLESS OTHERWISE SPECIFIED: DIMENSIONS ARE IN INCHES TOLERANCES: FRACTIONAL ± 1/32 ANGULAR: ± 2° TWO PLACE DECIMAL ± .03 THREE PLACE DECIMAL ± .010		NAME	DATE	 <b>CDI</b> TITLE: <b>GENERAL ASSEMBLY,                  X300-3C</b>
		DRAWN	KRW	4/27/2015		
		CHECKED				
		ENG APPR.				
		MFG APPR.				
		INTERPRET GEOMETRIC TOLERANCING PER: ASME Y14.5M - 1994		Q.A.		
		MATERIAL		COMMENTS:		
		FINISH				
NEXT ASSY	USED ON			ECN #:		
APPLICATION		DO NOT SCALE DRAWING		SCALE: 1:2		
				WEIGHT:	SHEET 1 OF 1	
				SIZE <b>B</b>	DWG. NO. <b>81-03-0079-00</b>	
				REV <b>1</b>		

8 7 6 5 4 3 2 1