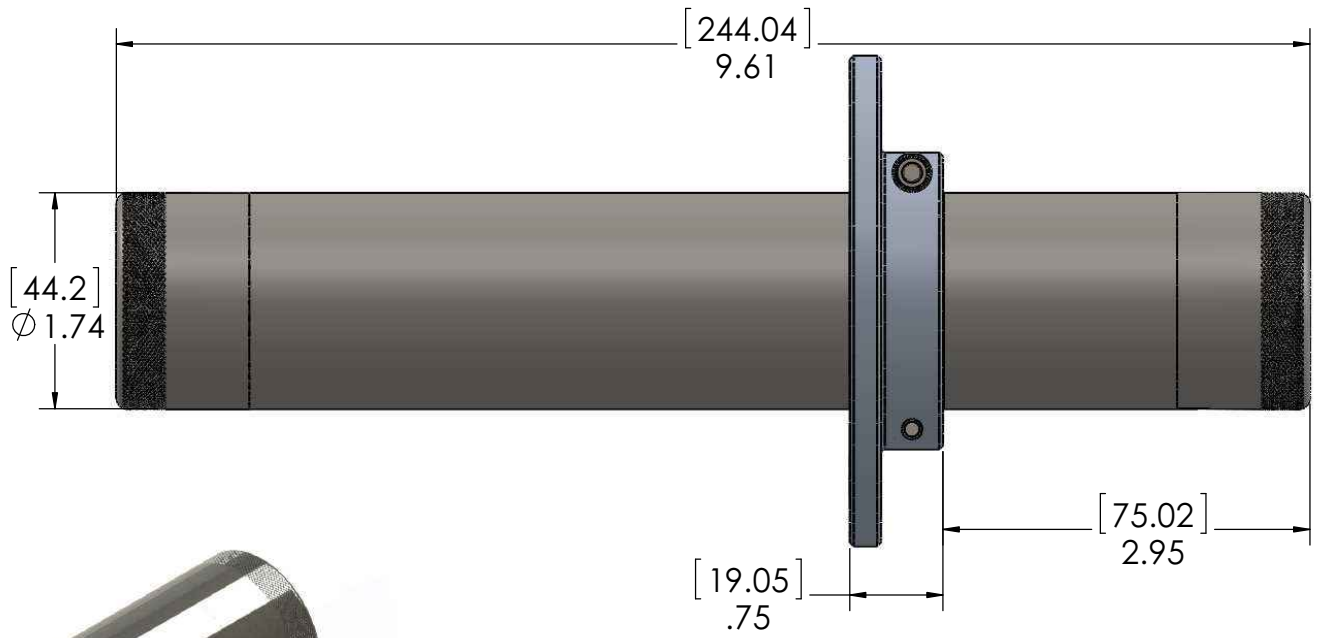
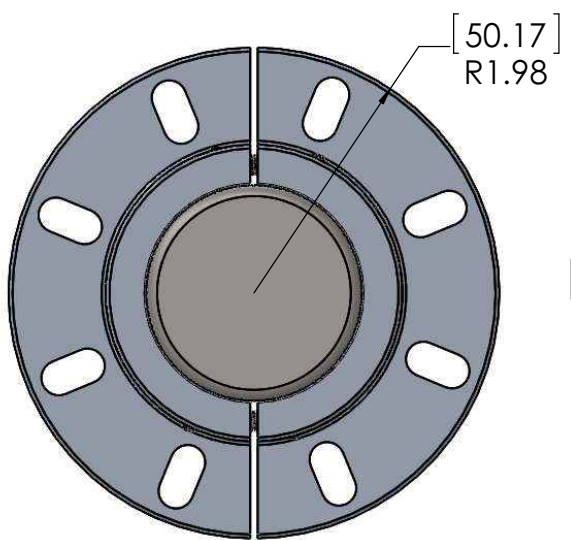


8 7 6 5 4 3 2 1

| REV. | DESCRIPTION | DATE | APPROVED |
|------|-----------------------|-----------|----------|
| 1 | RELEASE TO PRODUCTION | 4/27/2015 | KRW |




V:\X300\Mechanical Models\X300-4C\ 81-03-0086-00 GENERAL ASSEMBLY, X300-4C WITH FLANGE

D
C
B
A

D
C
B
A

PROPRIETARY AND CONFIDENTIAL
THE INFORMATION CONTAINED IN THIS DRAWING IS THE SOLE PROPERTY OF CDI. ANY REPRODUCTION IN PART OR AS A WHOLE WITHOUT THE WRITTEN PERMISSION OF CDI IS PROHIBITED.

| | | | | | | | | |
|-------------|--|---|-----|-----------|------|---|----------------------|--------------|
| | | UNLESS OTHERWISE SPECIFIED: DIMENSIONS ARE IN INCHES TOLERANCES: FRACTIONAL ± 1/32 ANGULAR: ± 2° TWO PLACE DECIMAL ± .03 THREE PLACE DECIMAL ± .010 | | NAME | DATE |  TITLE: GENERAL ASSEMBLY, X300-4C | | |
| | | DRAWN | KRW | 4/27/2015 | | | | |
| | | CHECKED | | | | | | |
| | | ENG APPR. | | | | | | |
| | | MFG APPR. | | | | | | |
| | | INTERPRET GEOMETRIC TOLERANCING PER: ASME Y14.5M - 1994 | | Q.A. | | SIZE | DWG. NO. | REV |
| NEXT ASSY | | USED ON | | COMMENTS: | | B | 81-03-0079-00 | 1 |
| APPLICATION | | DO NOT SCALE DRAWING | | ECN #: | | SCALE: 1:2 | WEIGHT: | SHEET 1 OF 1 |

8 7 6 5 4 3 2 1