



D2000 Quick Opening Closures

Sizes: 4-inch and larger



T.D. Williamson

Bulletin No: 5100.003.03

Version: 01.2012

Cross Indexing No: n/a

Supersedes: 5100.003.02 (08.2007)



■ D2000 Clamp Ring Closures various sizes

Description

T.D. Williamson, Inc.'s Clamp Ring Closures are quick-opening closures, easily operated by one person. The closure is designed primarily for horizontal installation, meaning the door swings open on the horizontal axis. However, the closure can be installed on a vertical installation. In the latter case, a counterbalance can be provided to facilitate opening.

Features

The Clamp Ring Closures, available in sizes 4-inches and larger, offer important advantages:

A reliable seal – The large, cross-sectional diameter O-ring located on the periphery of the closure's barrel collar provides positive sealing as well as protection from damage by tools, pigs or debris.

Pressure warning device – The Clamp Ring Closures are equipped with a pressure warning lock, in accordance with UG-35 of ASME Sect. VIII, Div. 1, to alert the operator to the existence of internal pressure prior to opening the closure.

Fast, easy, safe operation – One person can easily and quickly open or close the Clamp Ring Closures. Because it operates so easily, this closure is less time-consuming than other closures on the market. Because an operator must stand to the side when opening the pressure warning lock, clamp ring and door, the Clamp Ring Closures is safer to open than other closures that require an operator to stand in front of the door.

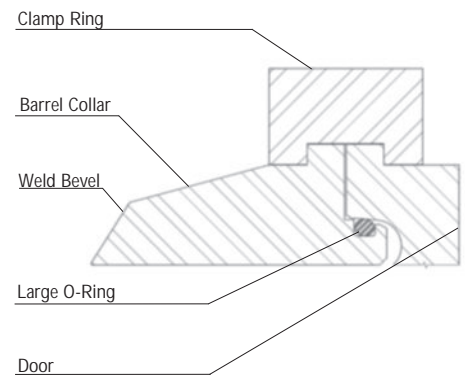
Clamp Ring Closures feature a lever-type actuator on sizes 4- through 30-inches. Sizes 32-inches and larger have a door assist (ratchet binder). Closures smaller than 32-inches at higher pressure also may feature a door assist mechanism.

Options

T.D. Williamson, Inc. is committed to providing you with the exact product to assist you in planning, budgeting and meeting the specifications for your individual application needs. The following options are available:

- Special materials
- Material certification
- Pressure testing
- Special O-ring material (standard O-ring material is Buna-N)
- Taper-bored to match pipe wall thickness
- Special design for vertical installation
- Larger sizes
- Pressure classes up to 2500#
- ASME Sect VIII, Div I

Consult factory for optional items.



ISO 9001 Certified

USA: 1-800-571-7447

England: (44) 1-793-603600



4- through 14-inch D2000 Clamp Ring Closures MAWP

Size (Inches)	Part Number	Weld Bevel Thickness	B31.4		B31.8		TP Max
			F=.72 (psi)	F=.60 (psi)	F=.50 (psi)*		
4	19-6704-0600-51	.337	1775	1480	1230	2220	
4	19-6704-0600-52	.250	1775	1480	1230	2220	
4	19-6704-0600-53	.188	1775	1480	1230	2220	
6	19-6706-0600-51	.432	1775	1480	1230	2220	
6	19-6706-0600-52	.375	1775	1480	1230	2220	
6	19-6706-0600-53	.313	1775	1480	1230	2220	
6	19-6706-0600-54	.250	1775	1480	1230	2220	
6	19-6706-0600-55	.188	1775	1480	1230	2220	
8	19-6708-0600-51	.500	1775	1480	1230	2220	
8	19-6708-0600-52	.438	1775	1480	1230	2220	
8	19-6708-0600-53	.375	1775	1480	1230	2220	
8	19-6708-0600-54	.313	1775	1480	1230	2220	
8	19-6708-0600-55	.250	1775	1480	1230	2220	
8	19-6708-0600-56	.188	1775	1480	1230	2220	
10	19-6710-0600-51	.500	1775	1480	1230	2220	
10	19-6710-0600-52	.438	1775	1480	1230	2220	
10	19-6710-0600-53	.375	1775	1480	1230	2220	
10	19-6710-0600-54	.313	1775	1480	1230	2220	
10	19-6710-0600-55	.250	1775	1480	1230	2220	
10	19-6710-0600-56	.188	1725	1440	1200	2160	
12	19-6712-0600-51	.500	1775	1480	1230	2220	
12	19-6712-0600-52	.438	1775	1480	1230	2220	
12	19-6712-0600-53	.375	1775	1480	1230	2220	
12	19-6712-0600-54	.313	1775	1480	1230	2220	
12	19-6712-0600-55	.250	1775	1480	1230	2220	
12	19-6712-0600-56	.188	1455	1215	1010	1825	
14	19-6714-0600-51	.500	1775	1480	1230	2220	
14	19-6714-0600-52	.438	1775	1480	1230	2220	
14	19-6714-0600-53	.375	1775	1480	1230	2220	
14	19-6714-0600-54	.313	1775	1480	1230	2220	
14	19-6714-0600-55	.250	1770	1475	1225	2215	
14	19-6714-0600-56	.188	1325	1105	920	1660	

*Closures are available at 1480psi MAWP with .50 design factor, consult factory.

NOTICE: New 19-67sz series part number is same as old 19-37sz series except that it now does NOT include the door O-ring. See additional O-ring part number table on page 7 for common O-ring options (must be ordered separately). Other O-ring materials are also available on a special-order basis.

Dimensions and Weights

Size	Wt (Lbs)	H x W x L	Part Number
4	60	8 x 12 x 16	19-6704-0600
6	75	8 x 14 x 18	19-6706-0600
8	120	8 x 16 x 20	19-6708-0600
10	160	8 x 19 x 23	19-6710-0600
12	200	10 x 21 x 26	19-6712-0600
14	260	10 x 22 x 27	19-6714-0600



■ 8-inch D2000 Clamp Ring Closure



16- through 30-inch-inches D2000 Clamp Ring Closures MAWP

Size (Inches)	Part Number	Weld Bevel Thickness	B31.4		B31.8		TP Max
			F=.72 (psi)	F=.60 (psi)	F=.50 (psi)*		
16	19-6716-0600-51	.500	1775	1480	1230	2220	
16	19-6716-0600-52	.375	1775	1480	1230	2220	
16	19-6716-0600-53	.250	1545	1290	1075	1935	
18	19-6718-0600-51	.625	1775	1480	1230	2220	
18	19-6718-0600-52	.500	1775	1480	1230	2220	
18	19-6718-0600-53	.375	1775	1480	1230	2220	
18	19-6718-0600-54	.250	1380	1150	955	1725	
20	19-6720-0600-51	.750	1775	1480	1230	2220	
20	19-6720-0600-52	.625	1775	1480	1230	2220	
20	19-6720-0600-53	.500	1775	1480	1230	2220	
20	19-6720-0600-54	.375	1775	1480	1230	2220	
20	19-6720-0600-55	.250	1240	1035	860	1555	
22	19-6722-0600-51	.750	1775	1480	1230	2220	
22	19-6722-0600-52	.625	1775	1480	1230	2220	
22	19-6722-0600-53	.500	1775	1480	1230	2220	
22	19-6722-0600-54	.375	1690	1410	1175	2115	
22	19-6722-0600-55	.250	1125	940	780	1410	
24	19-6724-0600-51	.875	1775	1480	1230	2220	
24	19-6724-0600-52	.750	1775	1480	1230	2220	
24	19-6724-0600-53	.625	1775	1480	1230	2220	
24	19-6724-0600-54	.500	1775	1480	1230	2220	
24	19-6724-0600-55	.375	1545	1290	1075	1935	
24	19-6724-0600-56	.250	1030	860	715	1290	

*Closures are available at 1480psi MAWP with .50 design factor, consult factory.

Dimensions and Weights

Size	Weight (Lbs)	H x W x L	Part Number
16	420	11 x 29 x 34	19-6716-0600
18	550	12 x 31 x 35	19-6718-0600
20	700	12 x 33 x 37	19-6720-0600
22	825	13 x 35 x 38	19-6722-0600
24	955	13 x 38 x 43	19-6724-0600



■ 20-inch D2000 Clamp Ring Closure



26- through 30-inch D2000 Clamp Ring Closures MAWP

Size (Inches)	Part Number	Weld Bevel Thickness	B31.4		B31.8		TP Max
			F=.72 (psi)	F=.60 (psi)	F=.50 (psi)		
26	19-6726-0600-51	.875	1775	1480	1230	2220	
26	19-6726-0600-52	.750	1775	1480	1230	2220	
26	19-6726-0600-53	.625	1775	1480	1230	2220	
26	19-6726-0600-54	.500	1775	1480	1230	2220	
26	19-6726-0600-55	.375	1425	1190	990	1785	
26	19-6726-0600-56	.250	950	795	660	1195	
28	19-6728-0600-51	.875	1175	1480	1230	2220	
28	19-6728-0600-52	.750	1775	1480	1230	2220	
28	19-6728-0600-53	.625	1775	1480	1230	2220	
28	19-6728-0600-54	.500	1770	1475	1225	2215	
28	19-6728-0600-55	.375	1325	1105	920	1660	
30	19-6730-0600-51	1.000	1775	1480	1230	2220	
30	19-6730-0600-52	.875	1775	1480	1230	2220	
30	19-6730-0600-53	.750	1775	1480	1230	2220	
30	19-6730-0600-54	.625	1775	1480	1230	2220	
30	19-6730-0600-55	.500	1655	1380	1150	2070	
30	19-6730-0600-56	.375	1240	1035	860	1555	

Dimensions and Weights

Size	Weight (Lbs)	H x W x L	Part Number
26	1400	15 x 44 x 45	19-6726-0600
28	1580	15 x 46 x 47	19-6728-0600
30	1850	16 x 48 x 49	19-6730-0600



■ 20-inch D2000 Clamp Ring Closure

*Closures are available at 1480psi MAWP with .50 design factor, consult factory.



**32- through 42-inch
D2000 Clamp Ring Closures MAWP**

Size (Inches)	Part Number	Weld Bevel Thickness	B31.4		B31.8		TP Max
			F=.72 (psi)	F=.60 (psi)	F=.50 (psi)*		
32	19-6732-0600-51	1.000	1775	1480	1230	2220	
32	19-6732-0600-52	.875	1775	1480	1230	2220	
32	19-6732-0600-53	.750	1775	1480	1230	2220	
32	19-6732-0600-54	.625	1775	1480	1230	2220	
32	19-6732-0600-55	.500	1545	1290	1075	1935	
32	19-6732-0600-56	.375	1160	970	805	1455	
34	19-6734-0600-51	1.000	1775	1480	1230	2220	
34	19-6734-0600-52	.875	1775	1480	1230	2220	
34	19-6734-0600-52	.750	1775	1480	1230	2220	
34	19-6734-0600-53	.625	1775	1480	1230	2220	
34	19-6734-0600-54	.500	1455	1215	1010	1825	
34	19-6734-0600-55	.375	1090	910	755	1365	
36	19-6736-0600-51	1.125	1775	1480	1230	2220	
36	19-6736-0600-52	1.000	1775	1480	1230	2220	
36	19-6736-0600-53	.875	1775	1480	1230	2220	
36	19-6736-0600-54	.750	1775	1480	1230	2220	
36	19-6736-0600-55	.625	1720	1435	1195	2155	
36	19-6736-0600-56	.500	1380	1150	955	1725	
36	19-6736-0600-57	.375	1030	860	715	1290	
40	19-6740-0600-51	1.250	1775	1480	1230	2220	
40	19-6740-0600-52	1.125	1775	1480	1230	2220	
40	19-6740-0600-53	1.000	1775	1480	1230	2220	
40	19-6740-0600-54	.875	1775	1480	1230	2220	
40	19-6740-0600-55	.750	1775	1480	1230	2220	
40	19-6740-0600-56	.625	1545	1290	1075	1935	
40	19-6740-0600-57	.500	1240	1035	860	1555	
40	19-6740-0600-58	.375	930	775	645	1165	
42	19-6742-0600-51	1.250	1775	1480	1230	2220	
42	19-6742-0600-52	1.125	1775	1480	1230	2220	
42	19-6742-0600-53	1.000	1775	1480	1230	2220	
42	19-6742-0600-54	.875	1775	1480	1230	2220	
42	19-6742-0600-55	.750	1770	1475	1225	2215	
42	19-6742-0600-56	.625	1475	1230	1025	1845	
42	19-6742-0600-58	.500	1180	985	820	1480	

*Closures are available at 1480psi MAWP with .50 design factor, consult factory.

Dimensions and Weights

Size	Weight (Lbs)	H x W x L	Part Number
32	2500	16 x 51 x 54	19-6732-0600
34	2850	16 x 54 x 57	19-6734-0600
36	3250	17 x 56 x 60	19-6736-0600
40	4500	19 x 62 x 64	19-6740-0600
42	4775	19 x 64 x 67	19-6742-0600



■ 36-inch D2000 Clamp Ring Closure



**44-inch and larger
D2000 Clamp Ring Closures MAWP**

Size (Inches)	Part Number	Weld Bevel Thickness	B31.4		B31.8		TP Max
			F=.72 (psi)	F=.60 (psi)	F=.50 (psi)*		
44	19-6744-0600-51	1.000	1775	1480	1230	2220	
44	19-6744-0600-52	.875	1775	1480	1230	2220	
44	19-6744-0600-53	.750	1775	1480	1230	2220	
44	19-6744-0600-54	.625	1715	1430	1190	2145	
44	19-6744-0600-55	.500	1370	1145	950	1720	
44	19-6744-0600-56	.375	1025	855	710	1285	
46	19-6746-0600-51	1.125	1775	1480	1230	2220	
46	19-6746-0600-52	1.000	1775	1480	1230	2220	
46	19-6746-0600-53	.875	1775	1480	1230	2220	
46	19-6746-0600-54	.750	1775	1480	1230	2220	
46	19-6746-0600-55	.625	1570	1090	870	1965	
46	19-6746-0600-56	.500	1260	1050	875	1575	
46	19-6746-0600-57	.375	940	785	650	1180	
48	19-6748-0600-51	1.125	1775	1480	1230	2220	
48	19-6748-0600-52	1.000	1775	1480	1230	2220	
48	19-6748-0600-53	.875	1775	1480	1230	2220	
48	19-6748-0600-54	.750	1775	1480	1230	2220	
48	19-6748-0600-55	.625	1570	1310	1090	1965	
48	19-6748-0600-56	.500	1260	1050	875	1575	
48	19-6748-0600-57	.375	940	785	650	1180	

*Closures are available at 1480psi MAWP with .50 design factor, consult factory.

Dimensions and Weights

Size	Weight (Lbs)	H x W x L	Part Number
44	4850	19 x 65 x 69	19-6744-0600
46	5400	19 x 67 x 72	19-6746-0600
48	6000	19 x 70 x 73	19-6748-0600



■ 36-inch D2000 Clamp Ring Closure



Replacement Main Seal O-Rings for Standard D2000 Clamp Ring Closures

Closure	Buna-N (Standard)	Viton
19-6704-0600	19-3704-0615	19-3700-0468-23
19-6706-0600	19-3706-0615	19-3700-0680-23
19-6708-0600	19-3708-0615	19-3700-0876-23
19-6710-0600	19-3710-0615	19-3700-1071-23
19-6712-0600	19-3712-0615	19-3700-1256-23
19-6714-0600	19-3714-0615	19-3700-1371-23
19-6716-0600	19-3716-0615	19-3700-1556-53
19-6718-0600	19-3718-0615	19-3700-1740-53
19-6720-0600	19-3720-0615	19-3700-1923-53
19-6722-0600	19-3722-0615	19-3700-2106-53
19-6724-0600	19-3724-0615	19-3700-2290-53
19-6726-0600	19-3726-0615	19-3700-2542-53
19-6728-0600	19-3728-0615	19-3700-2725-53
19-6730-0600	19-3730-0615	19-3700-2908-53
19-6732-0600	19-3732-0615	19-3700-3092-53
19-6734-0600	19-3734-0615	19-3700-3275-53
19-6736-0600	19-3736-0615	19-3700-3458-53
19-6740-0600	19-3740-0615	19-3700-3894-53
19-6742-0600	19-3742-0615	19-3700-4077-53
19-6744-0600	19-3744-0615	19-3700-4327-53
19-6746-0600	19-3746-0615	19-3700-4513-53
19-6748-0600	19-3748-0615	19-3700-4699-53

Pressure Warning Lock Components for Standard D-2000 Closures

Closure Size	PWL Screw	PWL Bushing	PWL O-Ring Buna-N (standard)	PWL O-Ring Viton
4"-14"	00-4576-0018	00-5213-0001	00-0115-0025	00-1245-0008
16"-30"	00-4576-0037	00-5213-0012	00-0115-0002	00-1245-0007
32"-48"	00-4576-0038	00-5213-0013	00-0115-0035	00-1245-0012