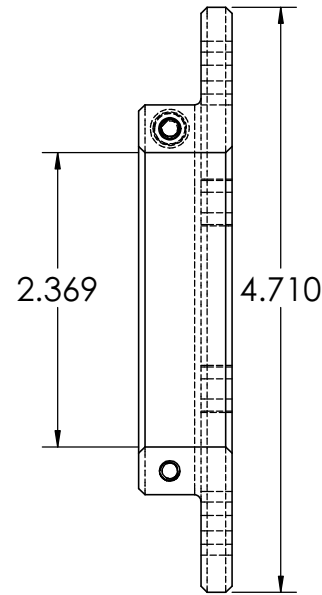
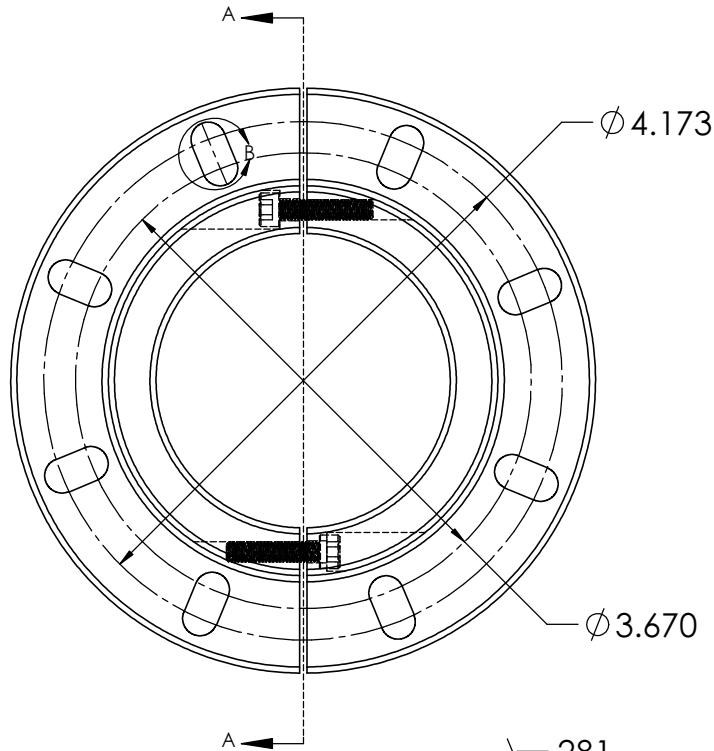
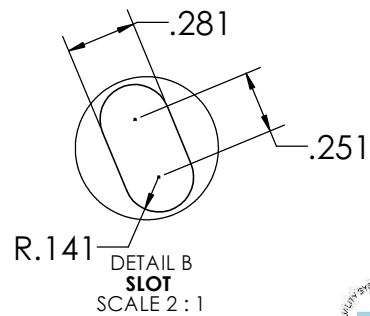
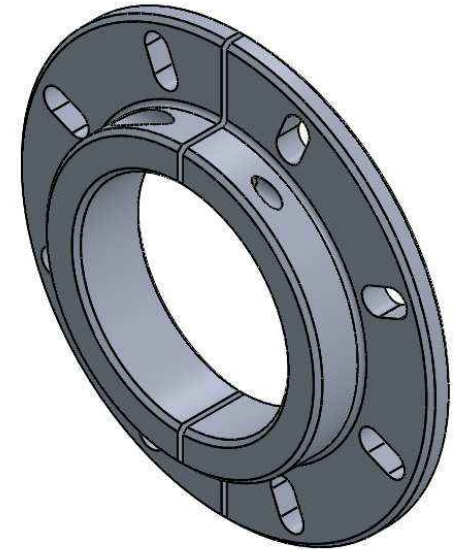


8 7 6 5 4 3 2 1

| REV. | DESCRIPTION | DATE | APPROVED |
|------|-----------------------|----------|----------|
| 1 | RELEASE TO PRODUCTION | 10/25/16 | KRW |



SECTION A-A
SCALE 1 : 1



R.141
DETAIL B
SLOT
SCALE 2 : 1

NOTES:
1. REMOVE ALL BURRS AND SHARP EDGES.



PROPRIETARY AND CONFIDENTIAL
THE INFORMATION CONTAINED IN THIS DRAWING IS THE SOLE PROPERTY OF CDI. ANY REPRODUCTION IN PART OR AS A WHOLE WITHOUT THE WRITTEN PERMISSION OF CDI IS PROHIBITED.

| | | | | | | |
|-----------|---------|---|--|-----------|--------------|--|
| | | UNLESS OTHERWISE SPECIFIED: DIMENSIONS ARE IN INCHES TOLERANCES: FRACTIONAL ± 1/32 ANGULAR: ± 2° TWO PLACE DECIMAL ± .03 THREE PLACE DECIMAL ± .010 | | NAME | DATE | CDI |
| | | INTERPRET GEOMETRIC TOLERANCING PER: ASME Y14.5M - 1994 | | DRAWN | KRW 10/23/15 | |
| | | MATERIAL | | CHECKED | KRW 10/23/15 | |
| | | FINISH | | ENG APPR. | KRW | |
| | | Material <not specified> 125RMS | | MFG APPR. | | |
| NEXT ASSY | USED ON | APPLICATION | | COMMENTS: | Q.A. | TITLE: KIT, X400-XX FLANGE |
| | | DO NOT SCALE DRAWING | | ECR #: | | SIZE B |
| | | | | | | DWG. NO. 81-05-0114-00 |
| | | | | | | REV 1 |
| | | | | | | SCALE: 1:2 WEIGHT: 0.44 SHEET 1 OF 1 |

8 7 6 5 4 3 2 1