



Short-Stop™ End Insulator

For preventing metal-to-metal shorts between carrier pipe and casings.



Short-Stop is an easy-to-install neoprene insulator with no metal parts. It is cut to fit any size casing.

Description:

Short-Stop casing end electrical insulator is made of compression-resistant neoprene rubber and installed in casing ends. In addition to dielectric properties, Short-Stop is resistant to oil, water, ozone and chemicals. The Short-Stop insulator will also withstand a wide range of temperature variations.

Use:

The Short-Stop end insulator is installed in casing ends between carrier pipe and casing to prevent metal-to-metal shorts. Because of its unique slab form, it has no metal components that might cause future shorting-out.

Application Procedures:

The casing end annulus should be cleared of foreign matter. Then the pipe is elevated, if necessary, off the casing inner wall. The Short-Stop insulator is placed in a cradling fashion into the bottom of the casing perpendicular to the longitudinal axis of the pipe. The insulator should extend out from the casing end approximately one inch. The pipe is then lowered down onto the Short-Stop insulator. Then an additional insulator segment is placed over the top of the carrier pipe.

Packaging:

Short-Stop insulators are available in 1/2-inch and 1-inch thicknesses and cut to the length required. Standard width is 6 inches.

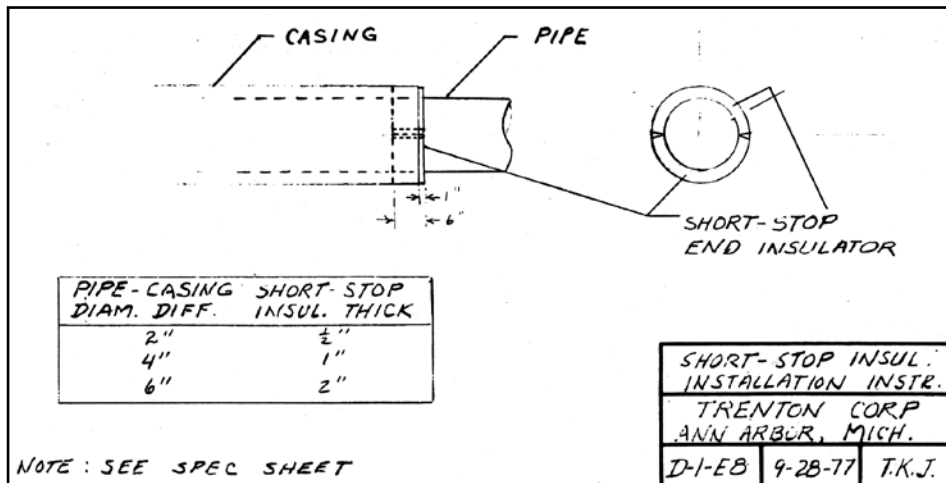
Specifications:

Composition	Neoprene
Color	Black
Specific gravity	1.23
Hardness durometer	60
Temperature range	-40° to 212° F

Compression:

1/2 inch thick x 1-inch square	235# to compress 1/8-inch
1 inch thick x 1-inch square	66# to compress 1/8-inch

Short-Stop End Insulator Sizing Charts



Width:

Standard width is 6 inches.

Thickness:

To determine thickness and number of pieces required for top and bottom segments, use the following chart.

Annulus	Bottom Sector	Top Sector
3"	(2) 1"	(2) 1"
2"	(2) 1/2"	(2) 1/2"
1"	(1) 1/2"	1/2"

Chart A

Example: 4" carrier x 8" casing

According to Chart A, a 2" annulus surrounding a 4" diameter pipe in an 8" diameter casing requires four 1/2" pieces per end.

According to Chart B, a 4" diameter carrier pipe requires 7" long insulators. Width is always 6". Therefore, to order Short-Stop insulators for a 4" pipe x 8" casing, specify: (4)1/2" x 7" Short-Stop insulators per casing end.

Length:

To determine the length of a Short-Stop insulator, use the following chart.

Carrier Pipe Diameter	Length of Short-Stop
4"	7"
6"	10"
8"	13"
10"	16"
12"	19"
16"	26"
18"	29"
20"	32"
22"	35"
24"	38"
26"	41"
30"	48"
34"	54"
36"	57"
40"	63"
42"	66"

Chart B



Corporate Office:
7700 Jackson Road
Ann Arbor, MI 48103 USA
(734) 424-3600
Fax: (734) 426-5882
trenton@trentoncorp.com

Export/Houston Office:
1880 S. Dairy Ashford Rd.
Suite #697
Houston, Texas 77077 USA
(281) 556-1000
Fax: (281) 556-1122
tweber@trentoncorp.com

European Office:
8, rue de Berri
Paris, France 75008
+33 (0) 1 42 99 95 78
Fax: +33 (0) 1 42 99 95 79
europe@trentoncorp.com

www.trentoncorp.com

© 2012 Trenton Corporation PRINTED IN USA