



PIPELINE AND COATINGS INSPECTION PRODUCTS

- Holiday Detectors
- Jeep Meters
- Pig Trackers
- Pig Tracker Sensors



CE COMPLIANT

SPV[®]

PIPELINE INSPECTION COMPANY, LTD.

Portable Holiday Detectors

Models 780 • 785 • 790

Pipeline Inspection Company, Ltd. offers three new "SPY®" Model Holiday Detectors that combine the field proven cases, probes and electrode configuration with latest technology in leading-edge circuitry that is simplified and more efficient.

Infinite Voltage Settings allows you to set the voltage exactly to the level you desire for the coating you are inspecting without removing the battery. Not 6 settings, not 20 ... any setting you desire over the complete range of each detector model. Whatever the pipe size, 2 inches through 60 inches, whatever the coating - somastic, tar, asphalt, extruded coats and tapes or thin film epoxy coatings - you have at your control the exact voltage setting required.

Automatically Regulated Voltage keeps your voltage constant! Over a range of 2in. through 60in. pipe the detector output voltage automatically adjusts under the working load to the voltage levels you set. Now you can forget compensations for pipesize, coating variations, or moisture on the pipe - the detectors automatically make these adjustments.

Interchangeable batteries easily slip into position with a snap that announces positive contact, and a secure lock in position. Two batteries and a universal charger are part of the package. For continuous service, one battery is kept charging while the other powers the unit.

CE COMPLIANT

Model 780	1,000 to 5,000 volts (thin film)
Model 785	1,000 to 15,000 volts
Model 790	5,000 to 35,000 volts

Accurate, Reliable Inspection of Any Coating, Onshore or Offshore

- *Infinitely Adjustable Voltage*
- *Output Voltage Automatically Regulated*
- *Rugged Ergonomic Design*
- *Easy Installation Battery*
- *Horn and Light for Holiday Indication*

Industrial

Pipeline





Wet Sponge Holiday Detectors

Models 670 • 673

Faster and Easier, Wet Sponge detectors are compact and light weight with no bulky battery packs allowing for non-destructive inspection of paints, epoxy paints and coatings.

The Model 670 is light weight and easy to handle. The electrode wand assembly is easily inserted into the unit and secured. Inspect more area faster. A revolutionary roller sponge electrode is an optional accessory for the Model 670. With this roller sponge electrode, coating inspections move along faster and with less operator fatigue.

The Model 673 Wet Sponge Holiday Detector for Plant or Stationary Operations is highly sensitive and accurate. An uniform coating of only one mil of paint or other non-conductive material over a metal surface is sufficient to repel a small current flow. If a pin-hole holiday is encountered, moisture from the sponge will seep into the hole and create a free path for electrical flow, activating the signal horn.

Model 673 - For Plant or Stationary Operations

- Regulated Output Voltage
- Internal Light & Signal Horn
- 80K - 100K Test Buttons
- (2) 120 Volt A.C. Power Sources for remote Signal or Control



Model 673

Non-Destructive Inspection of Paints and Coatings.

- Sensitive and Accurate
- Inspect More Area
- Saves Time and Effort
- Rugged, Durable Construction
- Uses One Standard 9-Volt Battery



Model 670

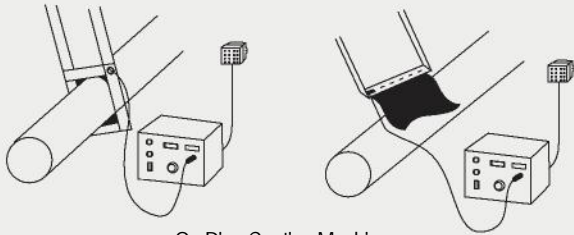
Portable Wet Sponge Holiday Detector are compact and lightweight. Operate on a single 9-volt alkaline battery.

In-Plant Holiday Detectors

Models 115 • 121 • 125 • 135

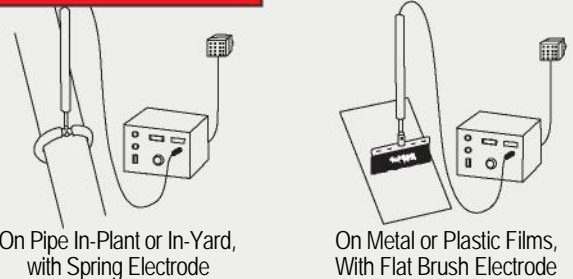
TYPICAL OPERATIONS

Automatic



On Pipe Coating Machines

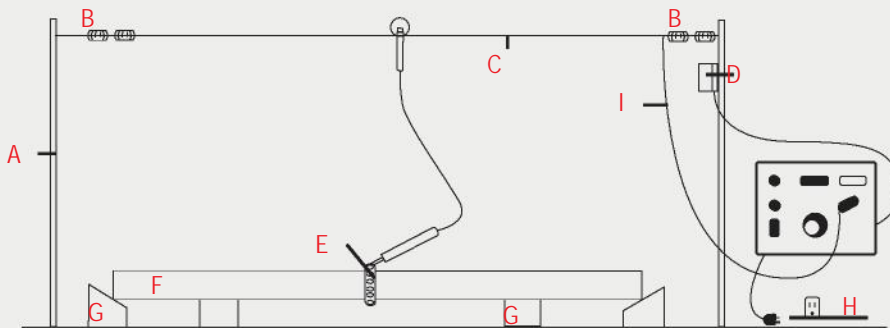
Manual



On Pipe In-Plant or In-Yard,
with Spring Electrode

On Metal or Plastic Films,
With Flat Brush Electrode

Overhead Trolley Wire Assembly



- A Building Wall or Pole
- B Insulators
- C Copper Trolley Wire
- D Klaxon Signal Horn
- E Spring Electrode Wand
- F Coated Pipe
- G Pipe Rack
- H Polarized Power Plug & Receptacle
- I HIGH VOLTAGE output cable to insulated trolley wire

For Heavy-Duty or Continuous Operation in Coating Plants and Yards

- Leading-Edge Electronic Circuitry – Practically eliminates maintenance and downtime
- Operates on Standard 120 VAC – No batteries required
- Output Voltage Automatically Regulated for 2 inch - 60 inch pipe sizes
- Continuous Digital Display of Output Voltage – Easy-to-Read, large numbers in kilovolts for instant status checks
- Light and Horn Detection Signals – Large, highly visible red light and an external loud horn to indicate holidays
- Permanent or Semi-Permanent Installation – Extremely versatile for automatic or manual operation
- Outlet Plug for Remote 120 VAC Signal, Marking or Alarm Devices
- Internal Heater – Prevents moisture build-up when the unit is not in use
- Positive Locking interconnector for High Voltage Electrode Cable technology in leading-edge circuitry that is simplified and more efficient.



Model 115	1,000 to 5,000 Volts (Thin Film)
Model 121	1,000 to 5,000 Volts
Model 125	5,000 to 25,000 Volts
Model 135	10,000 to 35,000 Volts



Jeep Meters

Models JM . PJM . DCPJM

Three Voltage Meters to Test Holiday Detector Outputs

The output voltage of your holiday detector is subject to influence by weather conditions, moisture on the pipe, improper grounding and soil conditions. In order to assure absolute

(jeeps), Pipeline Inspection Company has developed three special Jeepmeters for checking detector voltage output.

These Jeepmeters are designed to accurately measure the highest accuracy and performance from your holiday detectors output voltage of any detector.

Model PJM *Pocket Jeepmeter*

The Pocket Jeepmeter is for high voltage pulse output detectors. It has a range of 0-20 kv. Two standard 9-volt alkaline batteries power the PJM.



Model DCPJM *DC Pocket Jeepmeter*

The DC Pocket Jeepmeter measures the output voltage of DC holiday detectors. It has a range of 0-5 kv. This DCPJM requires no batteries.



Two Convenient, Economical Field Models

One Meter Does It All

The Model JM Jeepmeter provides the ultimate in accuracy and versatility. It features a digital display of measured voltages. The precision measurement displayed eliminates interpretation errors and is perfect for every day tests.

This Jeepmeter measures both pulse and DC voltage output. For pulse type holiday detectors, used to inspect shrink sleeves, tapes, coal tars, etc., the JM will measure up to 40 kv. For DC holiday detectors, used to inspect thin film epoxy coatings, the DC range of the JM measures up to 5kv.

When used with pulse type detectors, this Jeepmeter automatically senses the polarity of the pulse. Solid state electronics solve the stability and repeatability problems sometimes experienced in the older models.



Electronic Pig Tracking Systems

Models PT101 • PT107 • PT275 • PT750

Models 1, 2, 4 & 12 PTR Systems

The Pig Tracker is an electronic pig locating system that will locate your pigs wherever they go ~ through gathering lines, mainline transmission lines, municipal gas, water and waste water lines, refinery and other industrial piping.

Using strong low frequency signals, the Pig Tracker system gives you a more reliable signal life. Depending on the model, the Pig Tracker's signal can be received for up to 500 hours. It operates on standard batteries ~ readily available from retail stores. No recharger is necessary.

The Pig Tracker system consists of a cylindrical transmitter which travels with the pig, and a hand-held pick-up wand and receiver that receive the signals and inform the operator of the pig's location.

Model 1 System is designed for 2 inch to 4 inch poly (foam) pigs.

Model 2 System is designed for pipe sizes 2 to 8 inches. This system includes the PT 107 Transmitter, specially designed to fit poly (foam) and urethane pigs. The PT 107 transmitter negotiates line sizes of 3 to 6 inches with 3D* or greater bends and 2 inch lines with 5D* or greater bends. Not suited for metal pigs.

Model 4 System is designed for 6 inch and larger pipe using the PT275 Transmitter.

Model 12 System is designed for 12 inch and larger pipe using the PT750 Transmitter.

Electronic Pig Tracking and Locating Systems

- Keeps Pigs Located - Onshore or Offshore
- Rugged Ergonomic Design
- Uses Standard, Non-Rechargeable Batteries
- Will Negotiate Long Radius Bends
- Transmitter is Water-Tight and Can Withstand High Pressure and Temperatures
- Signal Strength and Range Exceed Others
- Coded Signal Minimizes Operator Interpretation Error
- Smallest Transmitter



Model PT275 with universal mount



Model PT750 with regular mount



Model PTR



SPY Pig Tracking Systems



PT750



PT275



PT107



PT101

Model 1	1 PTR, 1 PT-101 Transmitter
Model 2	1 PTR, 1 PT-107 Transmitter
Model 4	1 PTR, 1 PT-275 Transmitter
Model 12	1 PTR, 1 PT-750 Transmitter
Model 1 LF	2 PTRs, 1 PT-101 Transmitter
Model 2 LF	2 PTRs, 1 PT-107 Transmitter
Model 4 LF	2 PTRs, 1 PT-275 Transmitter
Model 12 LF	2 PTRs, 1 PT-750 Transmitter

**LF = Leap Frogging*

Acoustic Pig Tracker



The SPY®-PHONE allows you to listen to any internal pipeline travelers in motion. It is not a geophone. The SPY®-PHONE Pick-Up Sensor covers a wide range of frequencies from 1Hz. to 20 KHz. The SPY®-PHONE also allows the user to set and restrict multiple frequency ranges. The versatile Pick Up Sensor, which comes with a 3" contact spike, can also be magnetically attached directly to exposed valves or pipes. You may also securely attach the sensor to a steel probe. A 12-volt auto adapter allows you to listen from the comfort of your vehicle. Plug in the full spectrum FM Transmitter and you can listen for the pipeline traveler through your vehicle's sound system!



For Use With SPY® Pig Trackers *Pig Tracker Sensors*

Models PTS . PTSB . PTSI

- Senses and Signals Passages of a Pig Tracker Equipped Pig
- Non-Intrusive, Mounts onto Pipe O.D.
- Portable or Permanent Mount
- Output to Recording, Indicating or Actuating Equipment
- Rugged, Weatherproof Design
- Mounted in NEMA 7 Enclosures
- Battery Power Unit and Visual Indicator
- Available to receive electromagnetic or permanent magnet signal



Model PTS with optional PTSB Battery and PTSI visual indicator

SPY®



Worldwide Availability

Pipeline Inspection Company has a worldwide distributor network to ensure that all SPY products are available where and when needed.

PIPELINE INSPECTION COMPANY, LTD.

P.O. Box 55648 • Houston, Texas 77255-5648 • 1919 Antoine • Houston, Texas 77055

PH: (713) 681-5837 • FAX: (713) 681-4838

See our complete product line on the Internet at www.picld.com